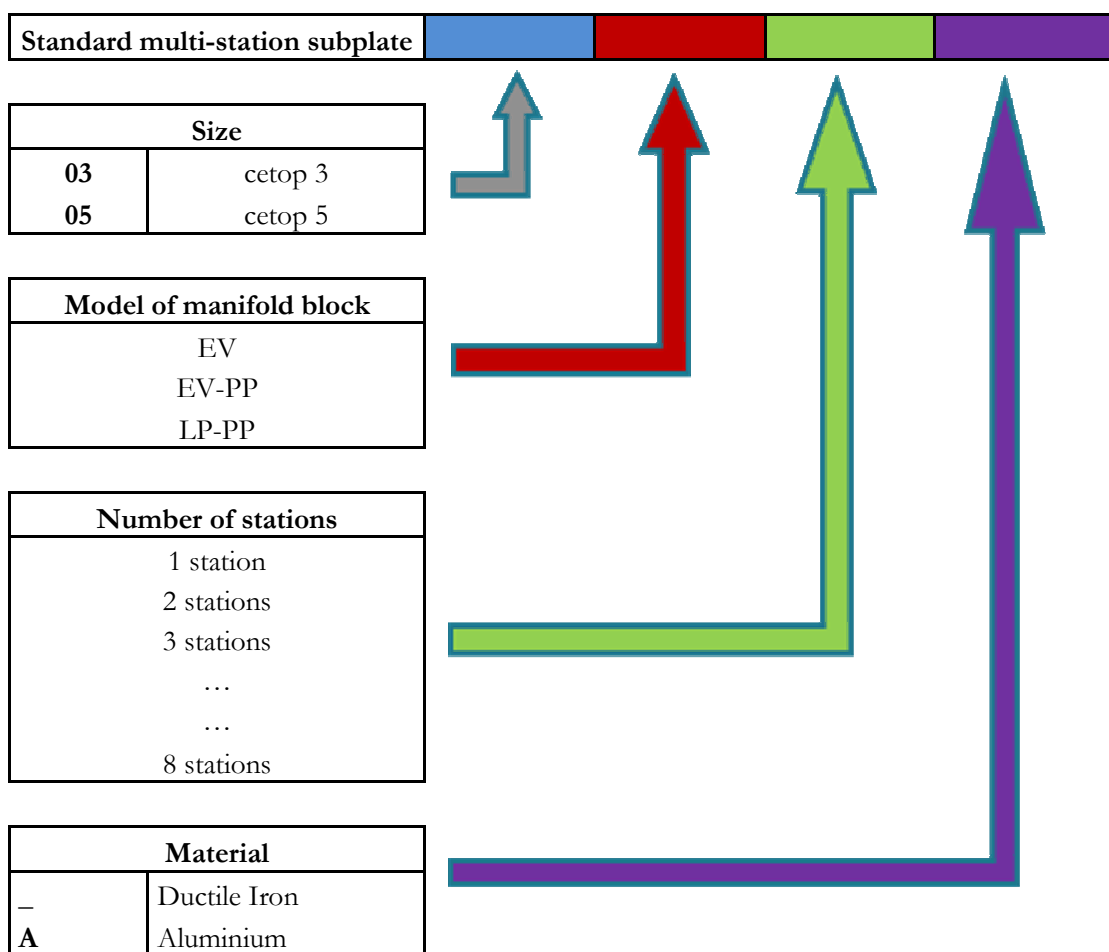




Hydraumatec Engineering
Business Park of Camagnon
PO Box 40125
56804 Ploërmel
FRANCE
tel: +33 2 97 93 41 59
fax: +33 2 97 93 47 31
www.hydraumatec.com



CHOICE OF MANIFOLD BLOCKS

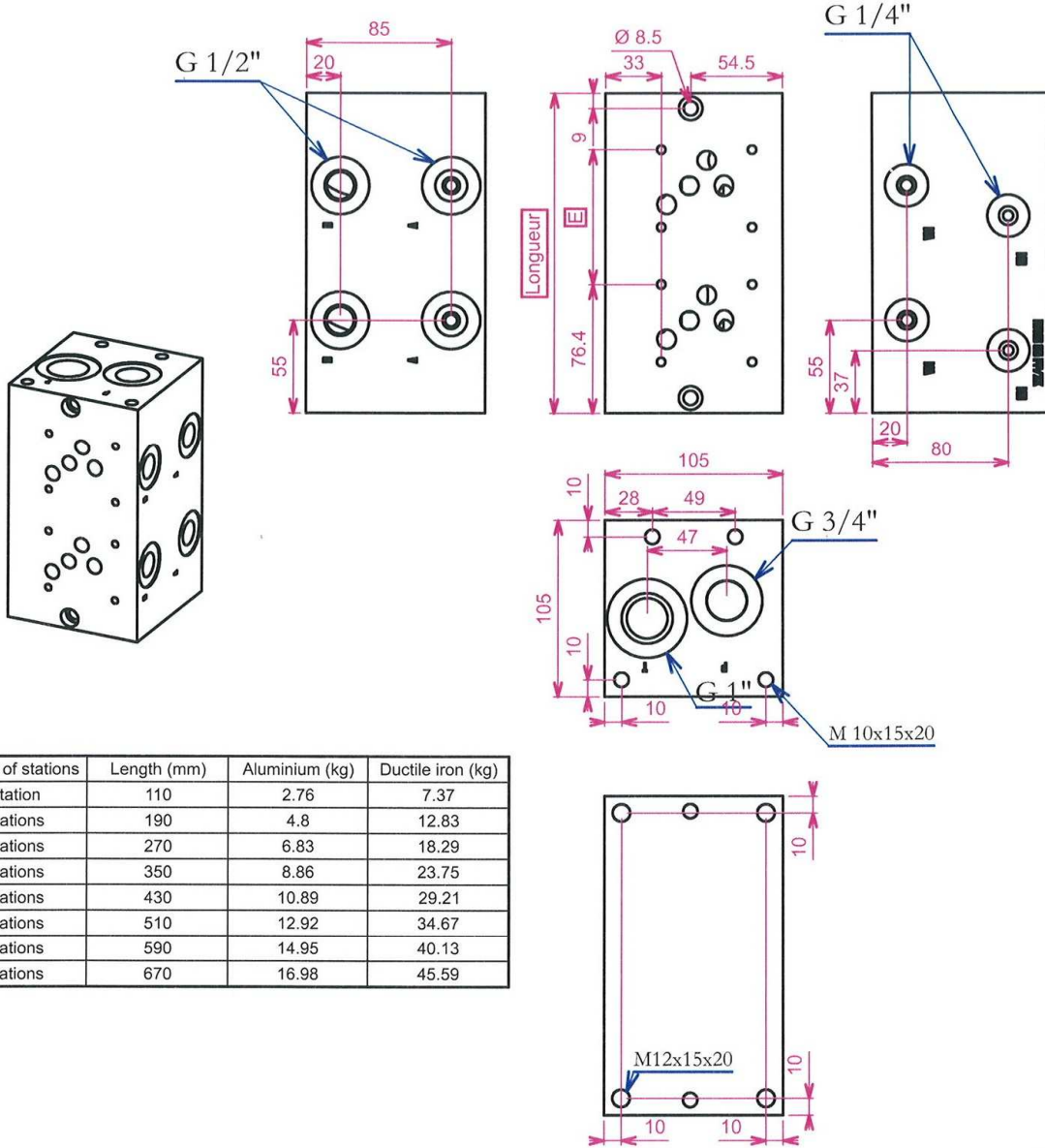


Options: different kind of materials by request, blocks up to twelve subplates.



MANIFOLD BLOCK CETOP 5 WITH PRESSURE TEST POINTS

BFMS 5 PTP



Number of stations	Length (mm)	Aluminium (kg)	Ductile iron (kg)
1 station	110	2.76	7.37
2 stations	190	4.8	12.83
3 stations	270	6.83	18.29
4 stations	350	8.86	23.75
5 stations	430	10.89	29.21
6 stations	510	12.92	34.67
7 stations	590	14.95	40.13
8 stations	670	16.98	45.59

E Distance between stations = 80mm

Operating pressure

Ductile iron EN GJS 400 phosphated : 350 Bar
 Aluminium 2017: 210 Bar

*Vertical or horizontal
 assembly at your discretion*

