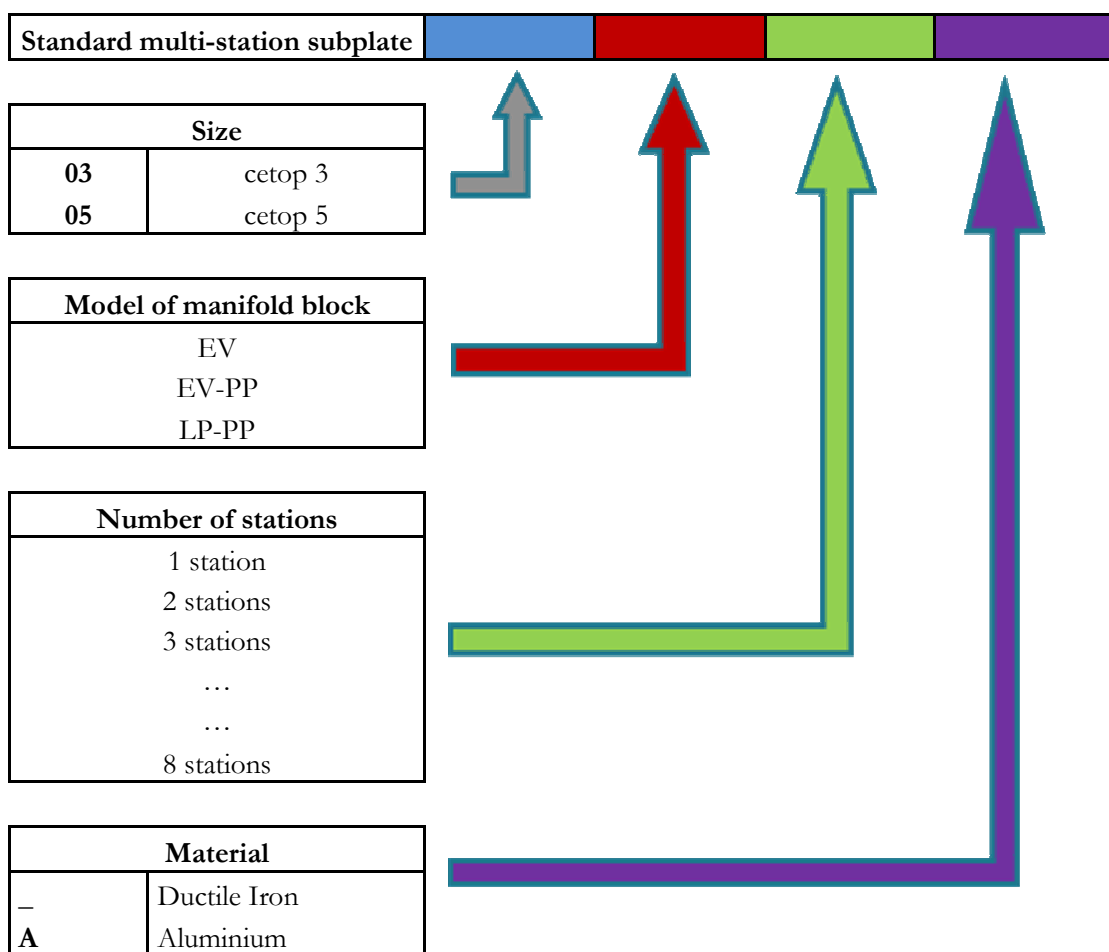




Hydraumatec Engineering
Business Park of Camagnon
PO Box 40125
56804 Ploërmel
FRANCE
tel: +33 2 97 93 41 59
fax: +33 2 97 93 47 31
www.hydraumatec.com



CHOICE OF MANIFOLD BLOCKS

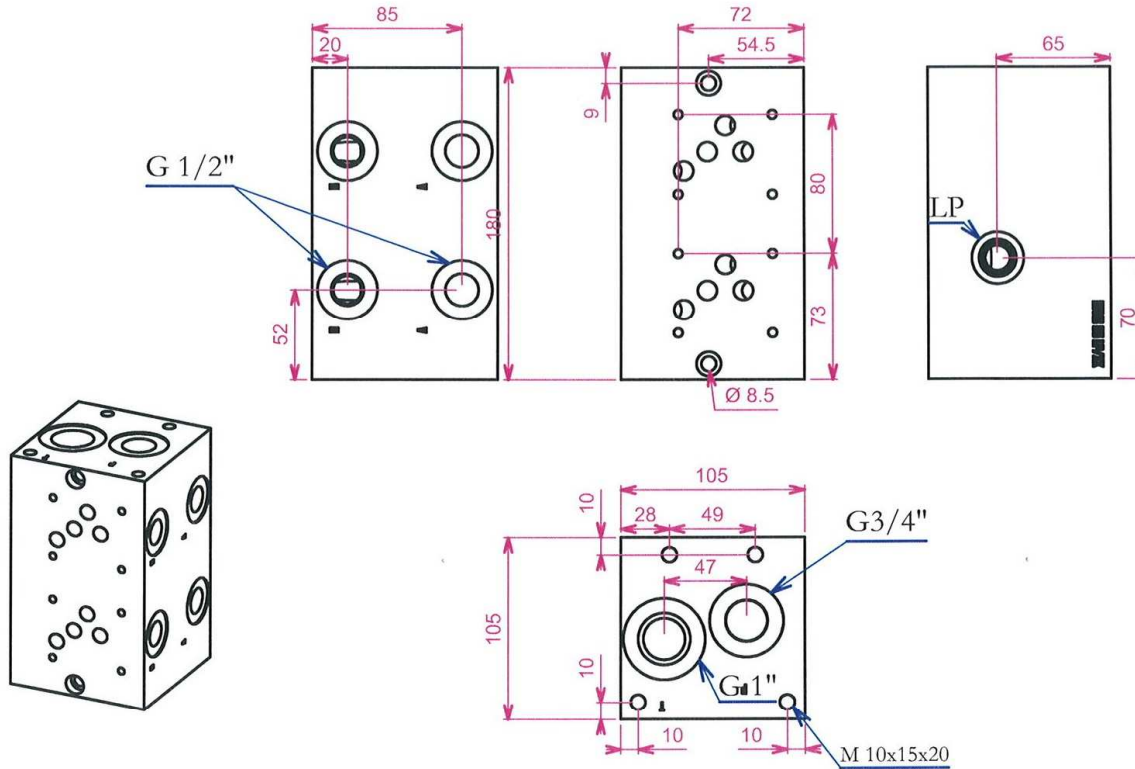


Options: different kind of materials by request, blocks up to twelve subplates.



MANIFOLD BLOCK CETOP 5 WITH A PRESSURE RELIEF VALVE

BFMS 5 PRV



Number of stations	Length (mm)	Aluminium (kg)	Ductile iron (kg)
1 station	110	2.74	7.33
2 stations	180	4.53	12.11
3 stations	260	6.6	17.63
4 stations	340	8.67	23.15
5 stations	420	10.74	28.67
6 stations	500	12.81	34.19
7 stations	580	14.88	39.71
8 stations	660	16.95	45.23

E Distance between stations = 80mm

Pressure relief valve :
 Pressure adjustment 70/315 Bar
 Flow 95 l/min

Operating pressure

Ductile iron EN GJS 400 phosphated : 350 Bar
 Aluminium 2017: 210 Bar

*Vertical or horizontal
 assembly at your discretion*

