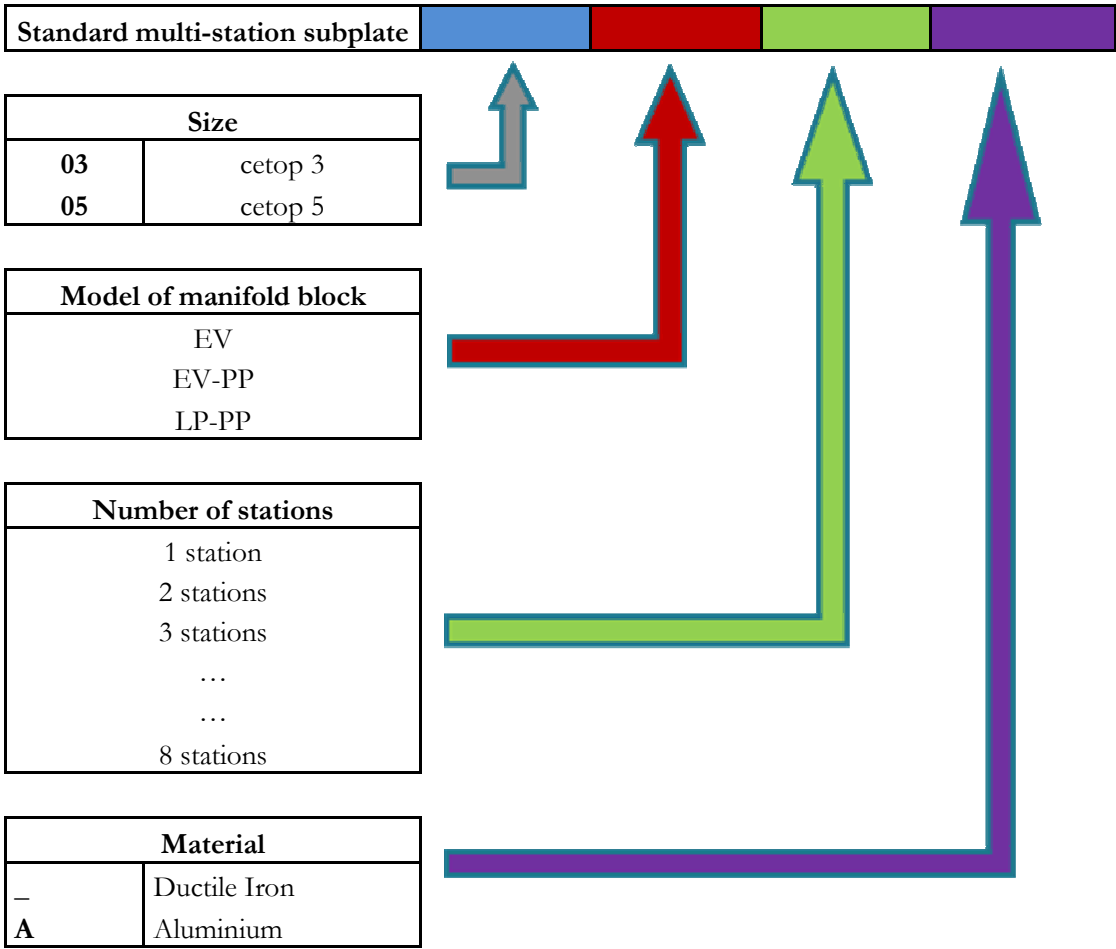




Hydraumatec Engineering
Business Park of Camagnon
PO Box 40125
56804 Ploërmel
FRANCE
tel: +33 2 97 93 41 59
fax: +33 2 97 93 47 31
www.hydraumatec.com



CHOICE OF MANIFOLD BLOCKS

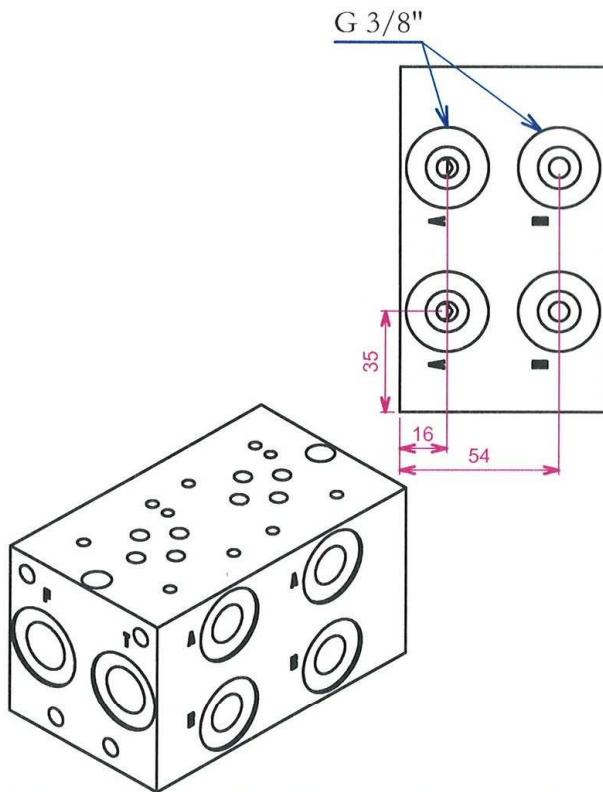


Options: different kind of materials by request, blocks up to twelve subplates.

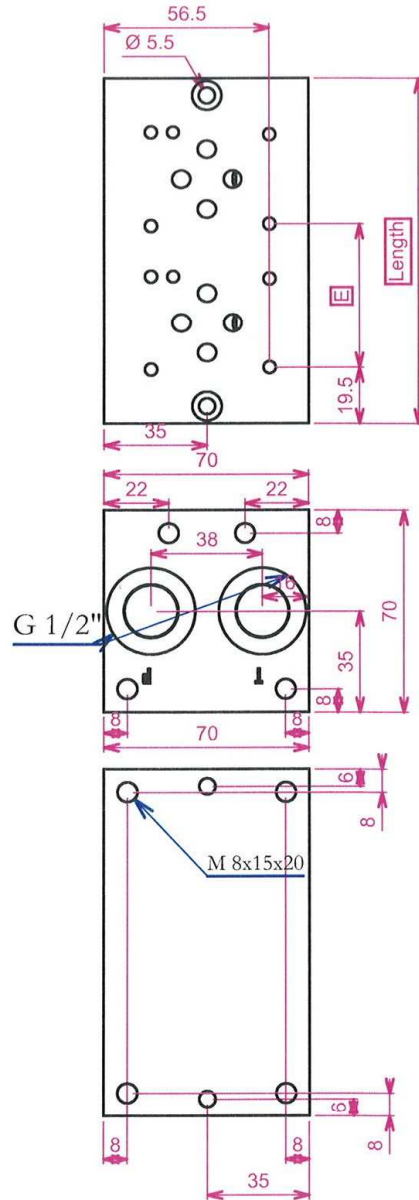


STANDARD MANIFOLD BLOCK CETOP 3

BFMS 3 STANDARD



Number of stations	Length (mm)	Aluminium (kg)	Ductile iron (kg)
1 station	70	0.8	2.13
2 stations	120	1.38	3.69
3 stations	170	1.97	5.25
4 stations	220	2.55	6.8
5 stations	270	3.13	8.36
6 stations	320	3.72	9.92
7 stations	370	4.3	11.47
8 stations	420	4.89	13.03



E Distance between stations = 50mm

Operating pressure

Ductile Iron EN GJS 400 phosphated : 350 Bar
Aluminium 2017: 210 Bar

*Vertical or horizontal
assembly at your discretion*

