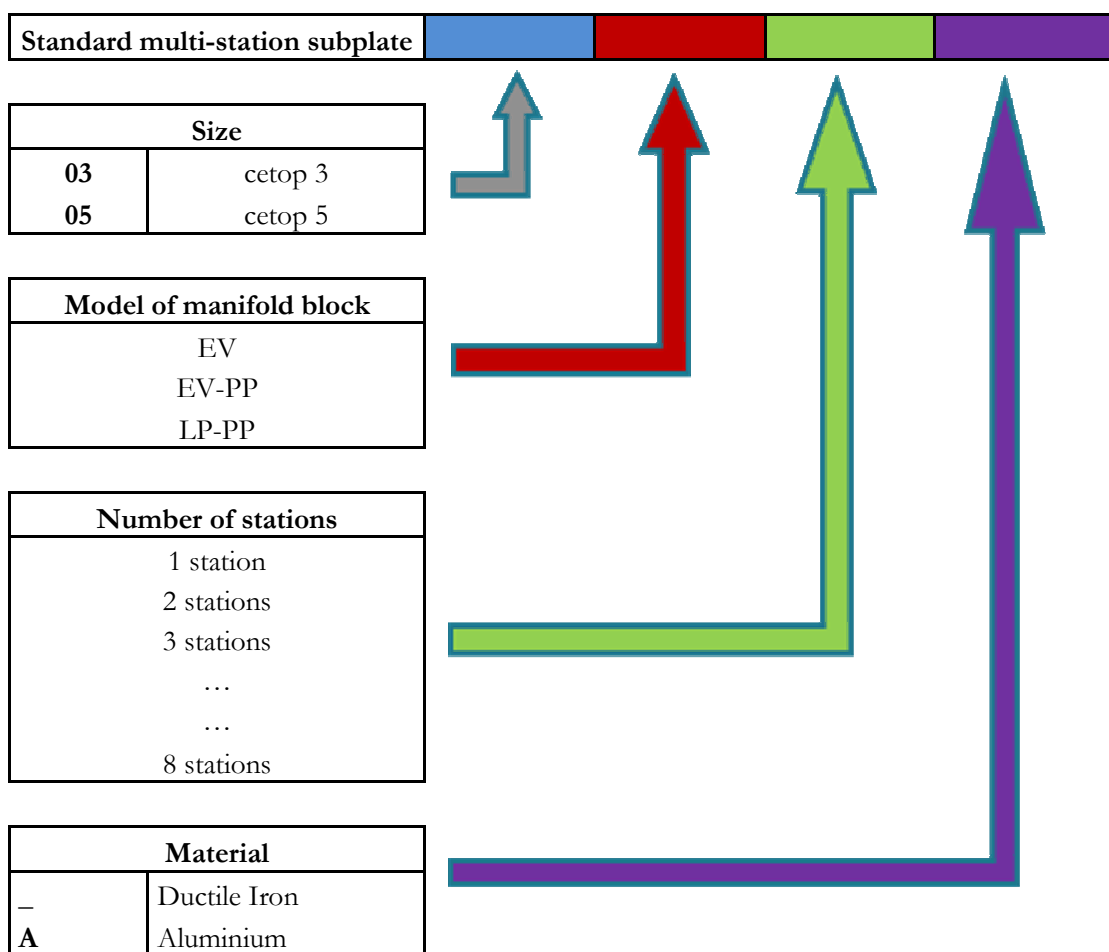




Hydraumatec Engineering
Business Park of Camagnon
PO Box 40125
56804 Ploërmel
FRANCE
tel: +33 2 97 93 41 59
fax: +33 2 97 93 47 31
www.hydraumatec.com



CHOICE OF MANIFOLD BLOCKS

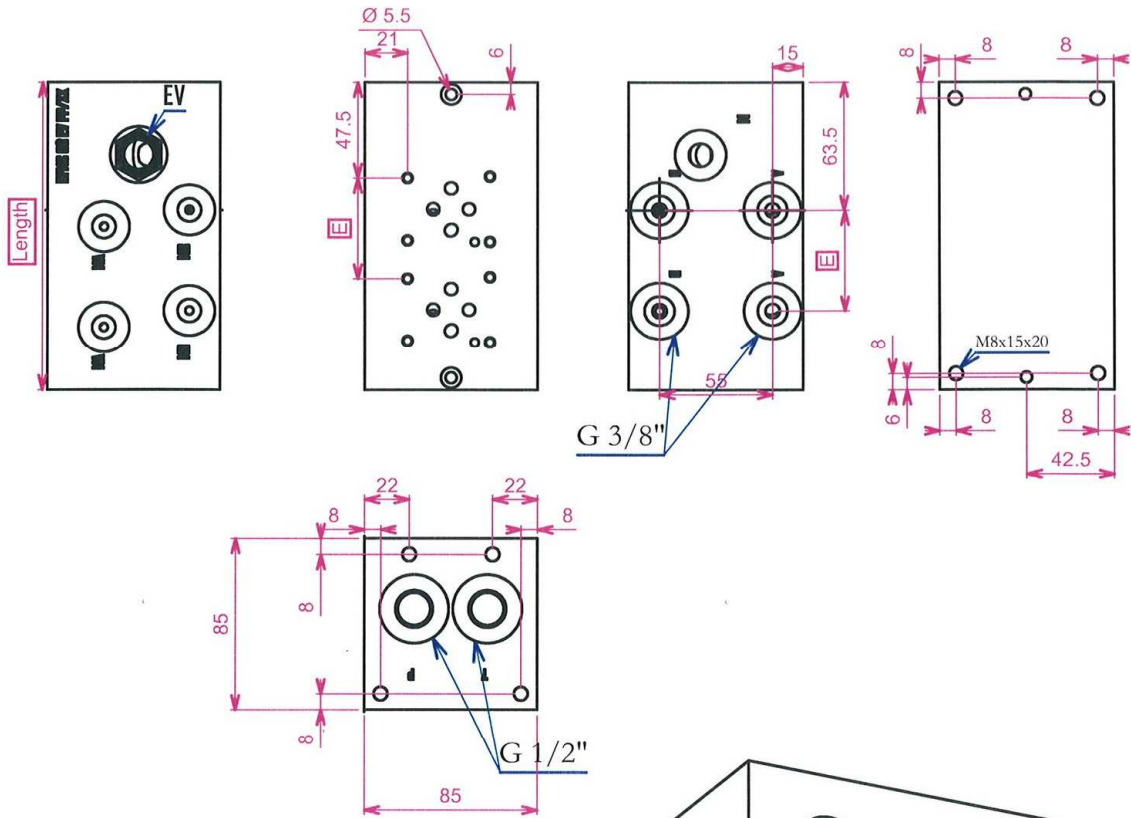


Options: different kind of materials by request, blocks up to twelve subplates.

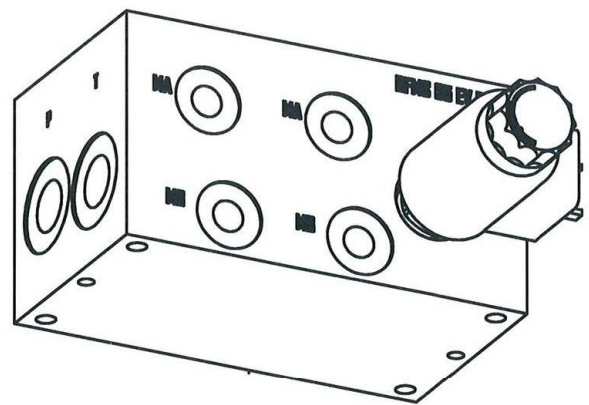


**MANIFOLD BLOCK CETOP 3 WITH A SOLENOID DIRECTIONAL VALVE
AND PRESSURE TEST POINTS**

BFMS 3 SDV PTP



| Number of stations | Length (mm) | Aluminium (kg) | Ductile iron (kg) |
|--------------------|-------------|----------------|-------------------|
| 1 station | 103 | 1.7 | 4.6 |
| 2 stations | 153 | 2.6 | 6.9 |
| 3 stations | 203 | 3.4 | 9.2 |
| 4 stations | 253 | 4.3 | 11.5 |
| 5 stations | 303 | 5.2 | 13.9 |
| 6 stations | 353 | 6.1 | 16.2 |
| 7 stations | 403 | 6.9 | 18.5 |
| 8 stations | 453 | 7.7 | 20.8 |



E Distance between stations = 50mm

Operating pressure

Ductile iron EN GJS 400 phosphated : 350 Bar
Aluminium 2017: 210 Bar

*Vertical or horizontal
assembly at your discretion*

