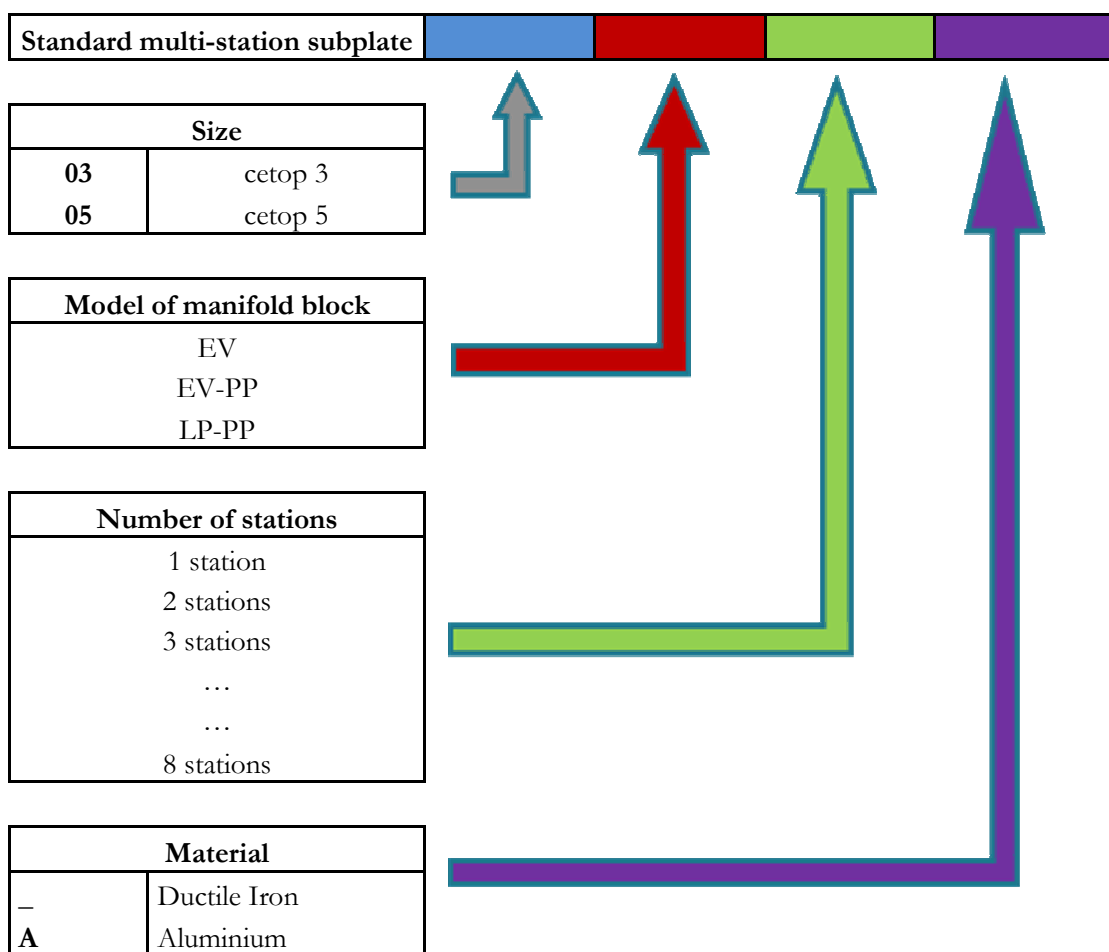




Hydraumatec Engineering
Business Park of Camagnon
PO Box 40125
56804 Ploërmel
FRANCE
tel: +33 2 97 93 41 59
fax: +33 2 97 93 47 31
www.hydraumatec.com



CHOICE OF MANIFOLD BLOCKS

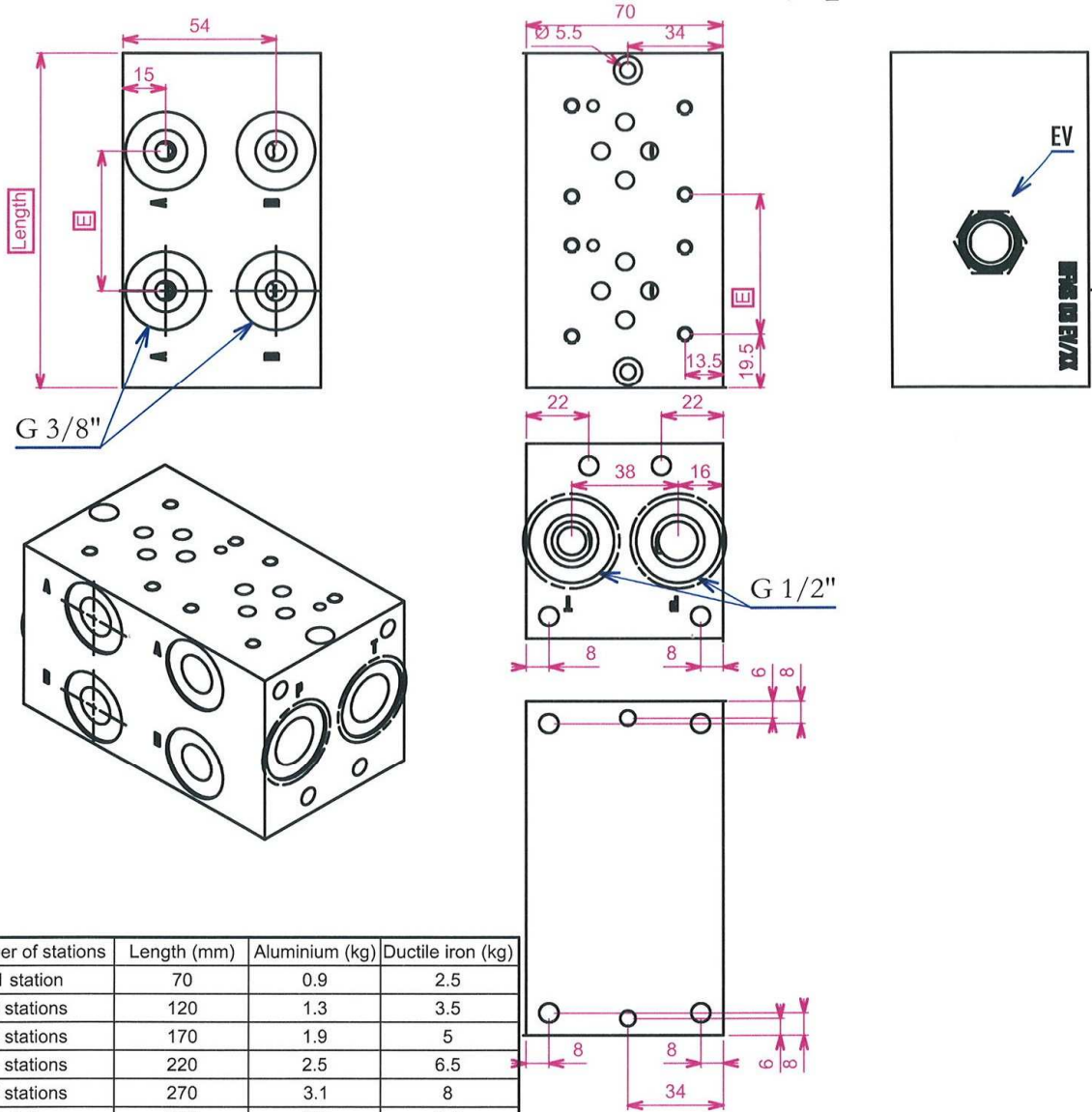


Options: different kind of materials by request, blocks up to twelve subplates.



MANIFOLD BLOCK CETOP 3 WITH A SOLENOID DIRECTIONAL VALVE

BFMS 3 SDV



Number of stations	Length (mm)	Aluminium (kg)	Ductile iron (kg)
1 station	70	0.9	2.5
2 stations	120	1.3	3.5
3 stations	170	1.9	5
4 stations	220	2.5	6.5
5 stations	270	3.1	8
6 stations	320	3.7	9.5
7 stations	370	4.2	11
8 stations	420	4.8	12.5

E Distance between stations = 50mm

Operating pressure

Ductile Iron EN GJS 400 phosphated: 350 Bar
 Aluminium 2017: 210 Bar

*Vertical or horizontal
 assembly at your discretion*

